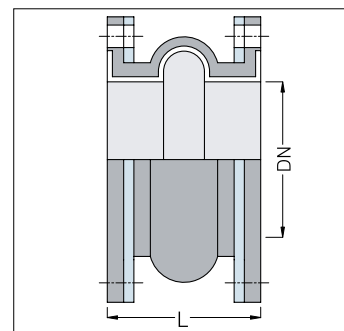
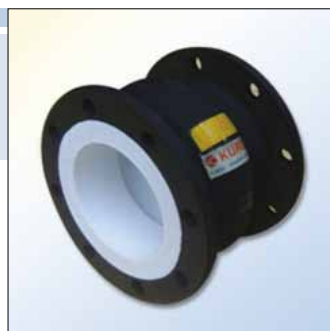


## Type 21TL PTFE Lined Expansion Joint



### Application

Kurbo PTFE lined expansion joints are ideal for severe service conditions in chemical plants, paper mills, pollution control system and other piping systems where highly corrosive chemicals and acids are conveyed. They are also suitable for high temperature and high pressure applications.

### Features

- Combination of best features of PTFE and rubber expansion joint : PTFE liner has excellent chemical and heat resistance and rubber joint has high pressure rating, good noise and vibration absorption. Thus PTFE lined expansion joints provide superior chemical resistance even at high temperatures and high pressures.
- The joint body that is bonded to a PTFE liner is reinforced with high tensile synthetic fiber and steel wire. Thus PTFE lined joints have much higher pressure capability than PTFE expansion joints/bellows.
- PTFE liner is non-contaminating and suits a wide range of applications
- High density PTFE liner offers optimal chemical resistance and permeation reduction
- Excellent thermal stability—temperature ratings to 200°C
- Extraordinary all directional movement capability

### Pressure and Movement Capability

Nominal Size		Standard Length		Max. Pressure (bar)	Vacuum Rating (mmHg)	Movement Capability			
DN	inch	mm	inch			Comp. (mm)	Ext. (mm)	Lat. (mm)	Ang. (deg.)
50	2	150	6	12	710	20	10	12	10.0
65	2.5	150	6	12	710	20	10	12	10.0
80	3	150	6	12	710	20	10	12	10.0
100	4	150	6	12	710	20	10	12	10.0
125	5	150	6	12	710	25	12	12	10.0
150	6	150	6	12	710	25	12	12	8.9
200	8	150	6	10	710	25	12	12	6.7
250	10	200	8	10	710	25	12	12	5.4
300	12	200	8	10	710	30	15	15	5.6
350	14	200	8	10	710	30	15	15	4.8
400	16	200	8	8	710	30	15	15	4.2
450	18	200	8	8	710	30	15	15	3.8
500	20	200	8	8	710	30	15	15	3.4
550	22	250	10	8	710	35	17	15	3.5
600	24	250	10	8	710	35	17	15	3.2
650	26	250	10	7	710	35	17	15	2.9
700	28	250	10	7	710	35	17	15	2.7
750	30	250	10	7	710	35	17	15	2.6
800	32	250	10	7	710	35	17	15	2.4
850	34	250	10	7	710	35	17	15	2.3
900	36	250	10	7	710	35	17	15	2.1
950	38	250	10	7	710	35	17	15	2.0
1000	40	250	10	7	710	35	17	15	1.9

1. Multiple arch design is available against quantity

2. Contact Kurbo for additional information such as other sizes, lengths and pressures not listed.