

Type 21CR / 21ER Reducer Joint



Kurbo Reducing expansion joints are used to connect different diameter pipes. These tapered joints act as flexible connectors and vibration dampeners for absorption of pipe stress, movements and noise/vibration.

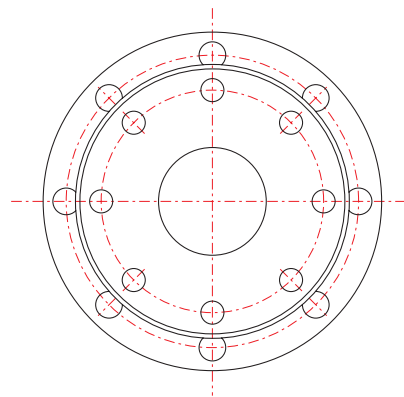
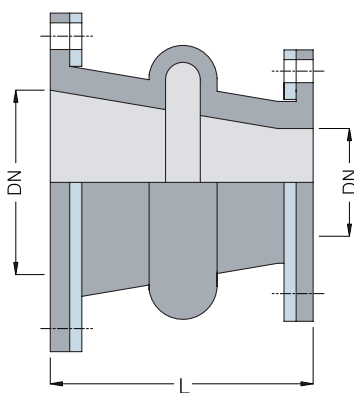
We offer 2 types of reducing joints—Concentric and Eccentric shapes.

Type 21CR is Concentric reducers with the axis of each end concentric with each other. Each flange—end shares the same common center line.
Type 21ER is Eccentric reducers having the axis of each end offset from each other.

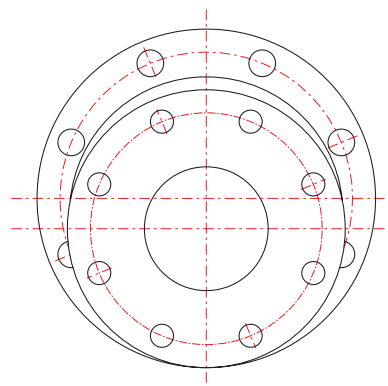
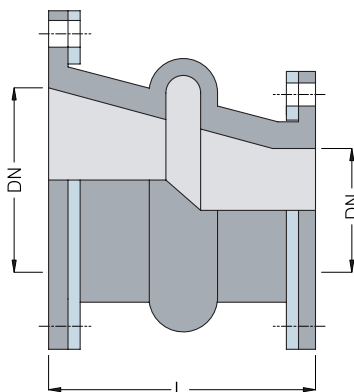
All flange drilling with straddle center line unless otherwise specified.

Features

- Versatile hand—built construction
- Available in concentric, eccentric or custom—made offset arrangement
- Available in multiarch, filled arch, without arch, sleeve ends
- Wide and low arch profile offers 2 times greater movement capability than other competitors' conventional product
- Available in a wide variety of sizes



21CR : Concentric Reducer Expansion Joint



21ER : Eccentric Reducer Expansion Joint



Movement · Pressure · Weight

Nominal Size	Length-(L) mm		Movement Capability				Max. Pressure (bar)	Vacuum Rating (mmHg)	Weights (kg)					
			Comp. (mm)	Ext. (mm)	Lat. (mm)	Ang. (deg.)			21CR			21ER		
	DN	DN							21CR	21ER	Exp Joint	Retaining Ring set	1 Control Rod Set	Exp Joint
50 x 25	200	200	20	10	12	25	10	660	0.9	1.2	2.7	0.9	1.2	3.3
50 x 40	200	200	20	10	12	25	10	660	1.0	1.4	2.7	1.0	1.4	3.3
65 x 40	200	200	20	10	12	20	10	660	1.3	1.7	3.2	1.3	1.7	3.6
65 x 50	200	200	20	10	12	20	10	660	1.5	1.9	3.2	1.5	1.9	3.9
80 x 25	200	200	30	15	12	24	10	660	1.5	1.6	3.4	1.5	1.6	4.1
80 x 40	200	200	30	15	12	24	10	660	1.6	1.8	3.4	1.6	1.8	4.1
80 x 50	200	200	30	15	12	24	10	660	1.7	2.0	3.4	1.7	2.0	4.1
80 x 65	200	200	30	15	12	24	10	660	1.8	2.3	3.4	1.8	2.3	4.1
100 x 50	200	200	30	15	12	18	10	660	2.1	2.5	3.4	2.1	2.5	4.1
100 x 65	200	200	30	15	12	18	10	660	2.3	2.8	3.6	2.3	2.8	4.1
100 x 80	200	200	30	15	12	18	10	660	2.8	2.9	3.6	2.8	2.9	4.1
125 x 80	200	200	35	17	12	17	10	660	3.0	3.0	4.5	2.9	3.0	4.3
125 x 100	200	200	35	17	12	17	10	660	3.1	3.5	4.3	3.3	3.5	4.5
150 x 50	200	200	35	17	12	14	10	660	3.1	2.8	5.4	3.2	2.8	6.8
150 x 65	200	200	35	17	12	14	10	660	3.2	3.1	5.9	3.3	3.1	6.4
150 x 80	200	200	35	17	12	14	10	660	3.3	3.2	5.9	3.3	3.2	5.9
150 x 100	200	200	35	17	12	14	10	660	3.6	3.7	5.0	3.7	3.7	5.1
150 x 125	200	200	35	17	12	14	10	660	3.8	3.8	5.4	3.8	3.8	5.1
200 x 80	200	200	35	17	12	11	10	660	4.4	4.2	9.3	5.5	4.2	9.1
200 x 100	200	200	35	17	12	11	10	660	4.6	4.7	9.1	5.8	4.7	8.6
200 x 125	200	200	35	17	12	11	10	660	4.8	4.8	8.6	5.9	4.8	8.4
200 x 150	200	200	35	17	12	11	10	660	5.1	5.0	8.2	6.1	5.0	8.2
250 x 125	250	250	35	17	12	8	10	660	6.6	5.7	10.9	6.4	5.7	10.9
250 x 150	250	250	35	17	12	8	10	660	7.1	5.9	11.3	7.6	5.9	11.8
250 x 200	250	250	35	17	12	8	10	660	7.8	6.9	12.2	8.1	6.9	11.3
300 x 150	250	300	35	17	12	7	10	660	9.2	7.7	13.6	10.4	7.7	12.7
300 x 200	250	250	35	17	12	7	10	660	10.1	8.7	13.6	10.7	8.7	10.9
300 x 250	250	250	35	17	12	7	10	660	11.0	9.6	11.3	11.8	9.6	11.3
350 x 200	250	300	35	17	12	6	7	660	12.4	9.3	13.6	14.4	9.3	14.7
350 x 250	250	300	35	17	12	6	7	660	13.1	10.2	13.6	15.4	10.2	13.8
350 x 300	250	250	35	17	12	6	7	660	15.0	12.0	12.2	17.0	12.0	13.2
400 x 250	250	300	35	17	12	5	7	660	15.2	11.3	17.2	18.1	11.3	18.6
400 x 300	250	300	35	17	12	5	7	660	15.9	13.1	17.2	18.3	13.1	17.0
400 x 350	250	250	35	17	12	5	7	660	16.6	13.7	15.9	19.1	13.7	15.0
450 x 300	250	300	35	17	12	5	7	660	17.1	13.7	17.7	19.1	13.7	18.1
450 x 350	250	300	35	17	12	5	7	660	17.8	14.3	17.7	19.7	14.3	17.5
450 x 400	250	250	35	17	12	5	7	660	18.5	15.4	16.3	19.8	15.4	16.8
500 x 350	250	300	35	17	12	4	7	660	19.2	15.3	18.6	21.5	15.3	18.7
500 x 400	250	300	35	17	12	4	7	660	20.1	16.4	19.1	22.2	16.4	19.3
500 x 450	250	250	35	17	12	4	7	660	21.6	17.0	17.7	22.5	17.0	17.4

• Both concentric and eccentric reducers with shorter face to face length are available. For details, contact Kurbo.